



QFC GU10

Fire Rated Can IP20/IP65



Technical

| | |
|--------------------|---------------------|
| • Input Voltage | AC220-240 |
| • Operating Temp. | -20°C to +40°C |
| • IP Rating | IP20 / IP65 (Front) |
| • Cut Out | 65-75mm |
| • Certification(s) | CE, RoHS |
| • Emergency Output | N/A |



Fire Rated Can bezels available (See codes below) - Sold separately.

Please Note: **IP65 is dependent on being used with the IP65 bezel.

QFC GU10 Features

- IP65 Ingress Protection
- Recessed Fixture
- Adjustable Cut-Outs
- Slim Design Profile

Part Code: QFC-GU10

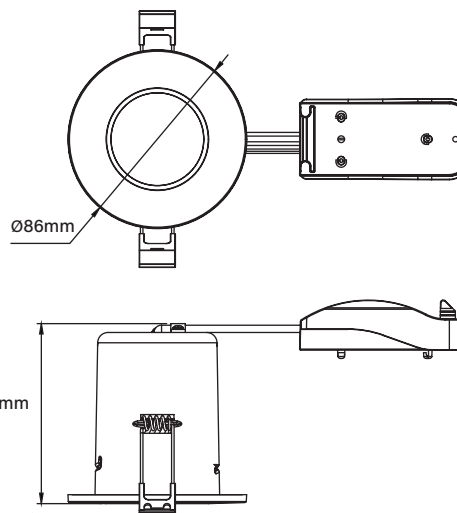
Net Weight | 0.15kg

Accessories (Required)

(See bezel codes below) - Sold separately.



Dimensions



IP20 Fire Rated GU10 Can Bezels

| Accessory | Description |
|-----------------------------|------------------------------------|
| QFC-WHITE-BEZ-IP20 | GU10 IP20 Bezel in White |
| QFC-BLACK-BEZ-IP20 | GU10 IP20 Bezel in Black |
| QFC-BRASS-BEZ-IP20 | GU10 IP20 Bezel in Brass |
| QFC-BRUSHEDCHROME-BEZ-IP20 | GU10 IP20 Bezel in Chrome |
| QFC-POLISHEDCHROME-BEZ-IP20 | GU10 IP20 Bezel in Polished Chrome |

**IP65 Fire Rated GU10 Can Bezels

| Accessory | Description |
|-----------------------------|-----------------------------|
| QFC-WHITE-BEZ-IP65 | GU10 IP65 Bezel in White |
| QFC-BLACK-BEZ-IP65 | GU10 IP65 Bezel in Black |
| QFC-BRASS-BEZ-IP65 | GU10 IP65 Bezel in Brass |
| QFC-BRUSHEDCHROME-BEZ-IP65 | GU10 IP65 Bezel in Chrome |
| QFC-POLISHEDCHROME-BEZ-IP65 | GU10 IP65 Bezel in Polished |