



Luna Bolt

Wall Pack (Plug & Play)

Technical

• Input Voltage	220-240V
• Beam Spread	120°
• CRI	>80
• Power Factor	>0.95
• Operating Temp.	-40°C to +70°C
• Materials	Polycarbonate Diffuser / Die-cast Aluminium Body
• IP Rating	IP65
• IK Rating	IK10
• Dimmable	On Request
• Lifetime	50,000 hours, L90-B10 (Ta 25 °C)
• Emergency Output	362Lm



Luna Bolt Features

- IP65 Ingress Protection
- IK10 Impact Resistance
- Wattage Switchable
- Integral Photocell Sensor (Can Be Disabled)

Luna

Part Code	Power	Efficacy	Output	Kelvin
LUNA-BOLT-WS-TC	17W	145Lm/cW	2465Lm	Tri-Colour: 3000K, 4000K & 6000K
	22W	145Lm/cW	3190Lm	
	26W	145Lm/cW	3770Lm	
	30W	145Lm/cW	4350Lm	

Net Weight | 1.85kg

Options

Option Code

Dimming Options

Contact Us

Dimensions - Please See Diagram Below



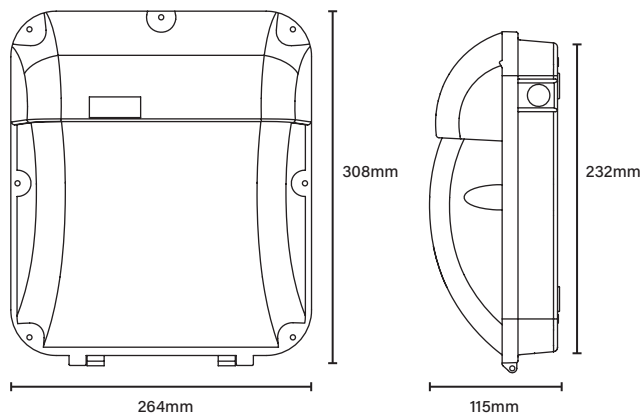
Plug & Play Accessories

Emergency Kits

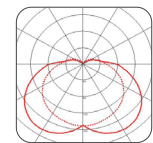
Part Code	Description
LME-BOLT-MT-EMKIT/MT/ST	Emergency Kit for LUNA BOLT



Dimensions



Photometric Data



Energy Efficiency Rating

