



Mitre

Multi-Power Bulkhead

Technical

• Input Voltage	AC 220-240V
• CRI	>80
• Power Factor	>0.92
• Operating Temp.	-30 to +50°C
• Materials	Aluminium & Polycarbonate
• IP Rating	IP66
• IK Rating	IK10
• Surge Protection	6Kv
• Dimmable	On Request
• Lifetime	54,000 hours, L90-B10 (Ta 25 °C)



Mitre Features



IP66 Ingress Protection



IK10 Impact Resistance



Wattage Switchable



Integral Photocell Sensor (Can Be Disabled)

Mitre

Part Code	Power	Efficacy	Output	Kelvin
MIT-WS-TC	10.5W	140Lm/cW	1470Lm	Tri-Colour: 3000K, 4000K & 5000K
	17.5W	140Lm/cW	2450Lm	
	26W	140Lm/cW	3640Lm	
	35W	140Lm/cW	4900Lm	

Net Weight | 2.7kg

Options

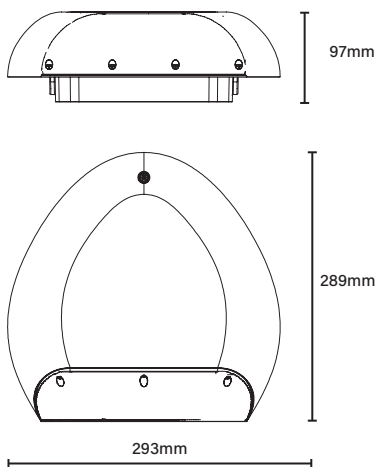
Option Code

3 Hour Emergency	+/EM
Dimmable Options	On Request

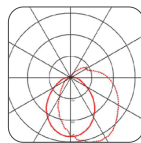
Dimensions - Please See Diagram Below



Dimensions



Photometric Data



Energy Efficiency Rating

