

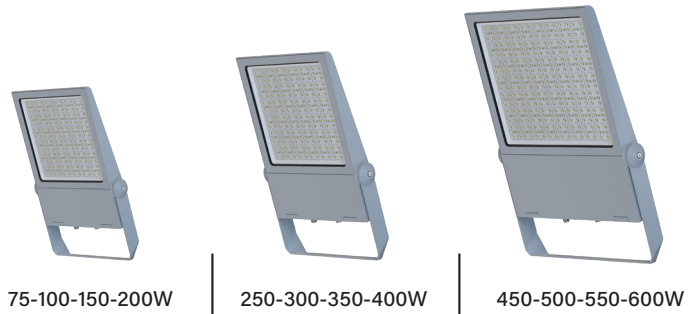


# QMarine

Harsh Environment  
Marine & Swimming Pool Grade

## Technical

• Input Voltage	AC 100-277V
• CRI	>70Ra
• Beam Spread	90°
• Power Factor	>0.95
• Operating Temp.	-40 to +50°C
• Materials	Aluminium & Tempered Glass
• IP Rating	IP66
• Lifetime	100,000 hours, L70-B10 (Ta 45 °C)
• Corrosion Class	C5 (High humidity, aggressive atmospheres that lead to highly corrosive environments)



75-100-150-200W

250-300-350-400W

450-500-550-600W

## Features



IP66 Ingress Protection



IK09 Impact Resistance



C5 Corrosion Compliant



1000 Hour Salt Spray Test  
ISO 9227:2022



1000 Hour Chlorine Test  
IEC 60068-2-60

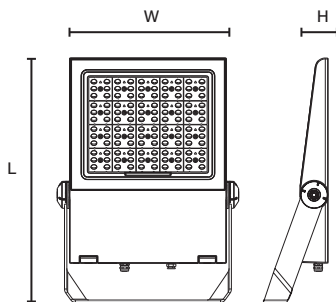
Part Code	Power	Efficacy	Output	Kelvin
QMARINE-PRO-200WS-TC	75W	170Lm/cW	12,750Lm	Tri-Colour: 2700K, 4000K & 6500K
	100W		17,000Lm	
	150W		25,500Lm	
	200W		34,000Lm	
QMARINE-PRO-400WS-TC	250W		42,500Lm	
	300W		51,000Lm	
	350W		59,500Lm	
	400W		68,000Lm	
QMARINE-PRO-600WS-TC	450W		76,500Lm	
	500W		85,000Lm	
	550W		93,500Lm	
	600W		102,000Lm	

Net Weight	Wattage	Dimensions (L x W x H)
6.3Kg	200W	523mm x 388mm x 139mm
12.3Kg	400W	670mm x 444mm x 166mm
15.4Kg	600W	750mm x 546mm x 177mm

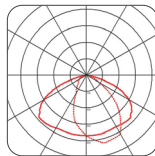
Options	Option Code
DALI 2.0 Dimmable	+/D



## Dimensions



## Photometric Data



## Energy Efficiency Rating

