

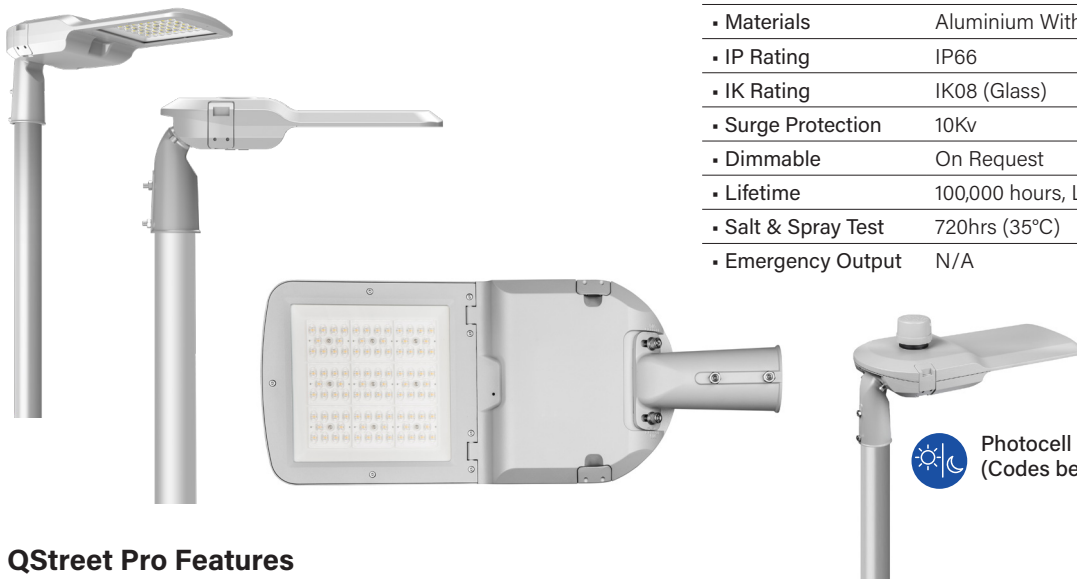


# QStreet Pro

## Street Lighting 100/125/140/150W

### Technical

• Input Voltage	AC 100-277V
• Beam Spread	85*155°
• CRI	>70
• Power Factor	>0.98
• Operating Temp.	-40°C to +50°C
• Materials	Aluminium With Tempered Glass
• IP Rating	IP66
• IK Rating	IK08 (Glass)
• Surge Protection	10Kv
• Dimmable	On Request
• Lifetime	100,000 hours, L90-B10 (Ta 25 °C)
• Salt & Spray Test	720hrs (35°C)
• Emergency Output	N/A



Photocell Available (Codes below)

### QStreet Pro Features

- IP66 Ingress Protection**
- 10Kv Surge Protection**
- Wattage & Colour Switchable**
- 60mm/76mm Spigot**
- Adjustable Head -15°- +15°**
- 10m Cable Flex**

#### Part Code: QST3-PRO-100/125/140/150-TC/FX - Standard Options

Power	Windage	Efficacy	Output	Kelvin
100W	0.1381m <sup>2</sup>	170Lm/cW	17000Lm	<b>Tri-Colour:</b> 2700K, 4000K & 6500K
125W	0.1381m <sup>2</sup>	170Lm/cW	21250Lm	
140W	0.1381m <sup>2</sup>	170Lm/cW	23800Lm	
150W	0.1381m <sup>2</sup>	170Lm/cW	25500Lm	

Net Weight | 5.8kg

#### Part Code: QST3-PRO-100/125/140/150-TC/PH - Photocell Options

Power	Windage	Efficacy	Output	Kelvin
100W	0.1381m <sup>2</sup>	170Lm/cW	17000Lm	<b>Tri-Colour:</b> 2700K, 4000K & 6500K
125W	0.1381m <sup>2</sup>	170Lm/cW	21250Lm	
140W	0.1381m <sup>2</sup>	170Lm/cW	23800Lm	
150W	0.1381m <sup>2</sup>	170Lm/cW	25500Lm	

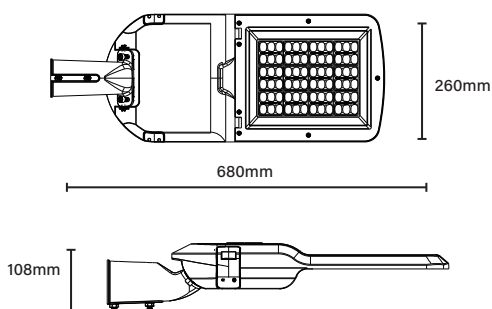
Net Weight | 5.9kg

Options	Option Code
DALI 2.0 Dimmable	+/D
Bespoke Columns	Quoted to suit

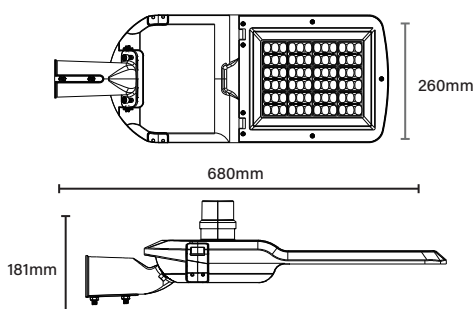


**SILVAIR CASAMBI**

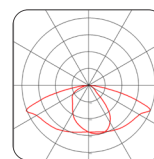
### Dimensions FX



### Dimensions PH



### Photometric Data



### Energy Efficiency Rating

