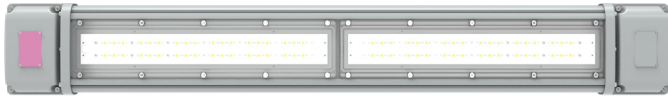




Hulk EP

Explosion Proof Linear



Technical

• Input Voltage	AC 200-250V
• Diffuser Type	Fireproof Transparent Polycarbonate
• Beam Spread	90°
• CRI	>70Ra
• Power Factor	>0.9
• Operating Temp.	-40°C - +65°C
• Materials	Aluminium & Polycarbonate
• IP Rating	IP65
• IK Rating	IK10
• Fire Rating	V0
• Lifetime	100,000 hours, L90-B10 (Ta 25 °C)
• Certification	Zone 1 & 2 / Zone 21 & 22
• Emergency Output	1300Lm

Hulk EP Features



IP65 Ingress Protection



IK10 Impact Resistance



Bracket Surface Mounting



Atex Rated



Self-Test As Standard

Explosion Proof LED

Part Code	Size	Power	Efficacy	Output	Kelvin
HEP-60-1200NW	1304mm	60W	130Lm/cW	7800Lm	4000K
HEP-60-1200NW/EM	1304mm	60W	130Lm/cW	7800Lm	4000K

Net Weight | 15kg

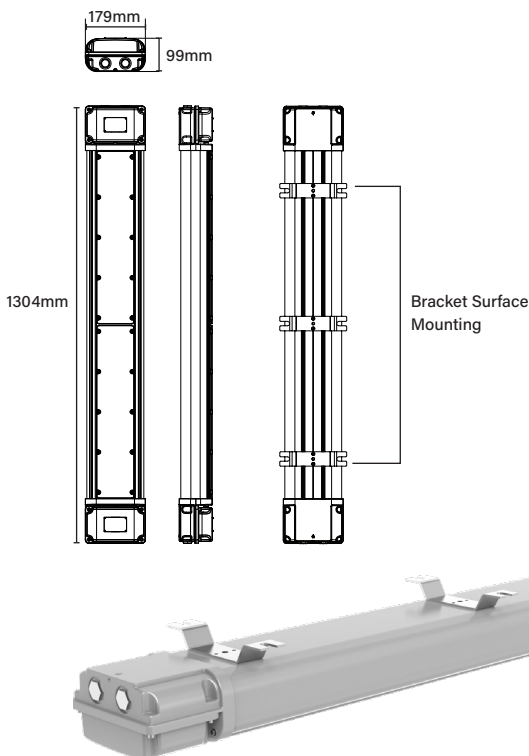
Options

3 Hour Emergency

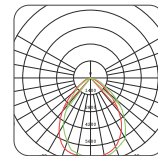
Option Code

+ /EM

Dimensions



Photometric Data



Energy Efficiency Rating

